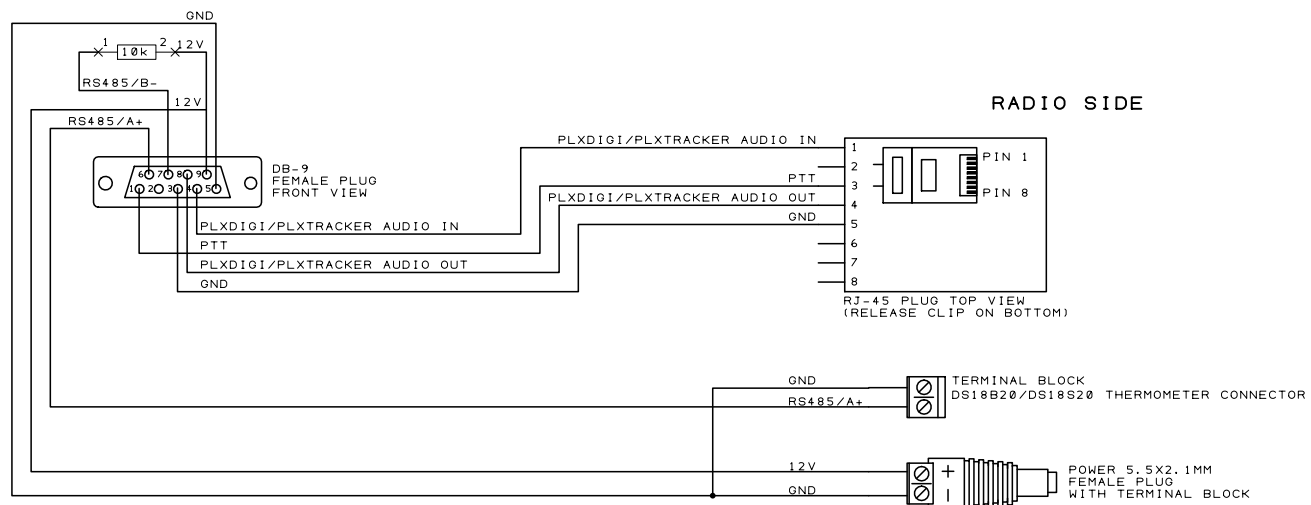


PLXDIGI/PLXTRACKER SIDE



Note: Thermometer works in "parasite power" mode. power is taken from RS485/A+ data line. Therefore both DS18B20/DS18S20 VDD and GND pins should be connected to GND. DQ should be connected to RS485/A+.

CAB17/THERMO - PLXDigi/PLXTracker to radio cable (Motorola GM300/350 front panel) + DS18x20 input	
Data: 23.10.2014	Opracował: Mateusz Plocinski
1/1	Sprawdził: